

Luxline LED Surgical Lights

Luxline 1160C LED Surgical Light With Camera

(Ref: M1B 800 0 0)

Luxline 1160CR LED Surgical Light Camera Ready

(Ref: M1B 700 0 0)



Luxline 1160C
LED Surgical Light With Camera



Technical Details

Mounting type: Ceiling

Light source: LED

Luminous power (1m distance): 160.000 lux

Light intensity: Adjustable in 10 levels by membrane control panel and adjustable 5 levels by touchless infrared sensor

LED life time: 50.000 h

Number of Led: 84 (except endo mode leds)

Endo mode: 4 each green leds

Light head diameter: 710 mm

Light head hanging arm: Rotates 360°

Light head joint arm: Rotates 260°

Light head: Rotates 270°

Horizontal rotary arm: Rotates 360°, 725 mm length

Spring arm: 910 mm length, rotates 360°, 50° downward, 45° upward, 1180 mm action distance

Light field diameter (1m distance): 180 - 250 mm

Illuminance field diameter L1+L2 (20%): 1200 mm

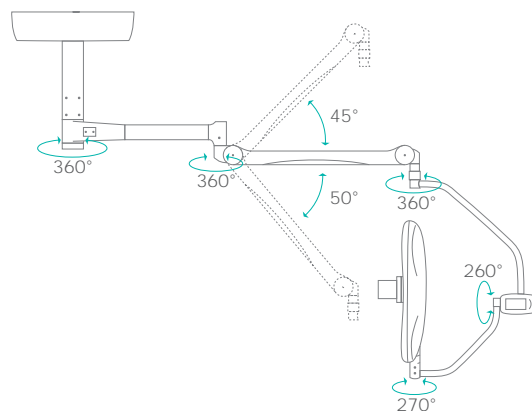
Color rendering index (CRI): ≥95 (4000K)

Color temperature: 4000K ±250, 4500K ±250, 5000K ±250

Power supply * : 220-240 V, 50/60 Hz

Power consumption: 75 W

Linear air flow (Laminar flow): It is designed in an ergonomic structure which minimizes turbulence and is fully compatible with the linear air flow system



Luxline 1160CR LED Surgical Light Camera Ready



With HD camera



Camera ready



Endo mode



Emergency On/Off



Camera case (available for "with camera" models)



Remote control (available for "with camera" models)



Touch color LCD screen control panel



Adjustable light intensity with touchless infrared sensor

Additional Technical Details for Luxline 1160C LED Surgical Light with Camera

HD Camera: 2.4 megapixel, 10X Optical and 32X Digital zoom

Control panel: 4.3" resistive touch color LCD screen

Camera features: Zoom in / out, freeze image, White Balance and Iris adjustment

Image transmission: Wireless

Camera group reference number: M1C 810 5 0

* 110 Volt option