

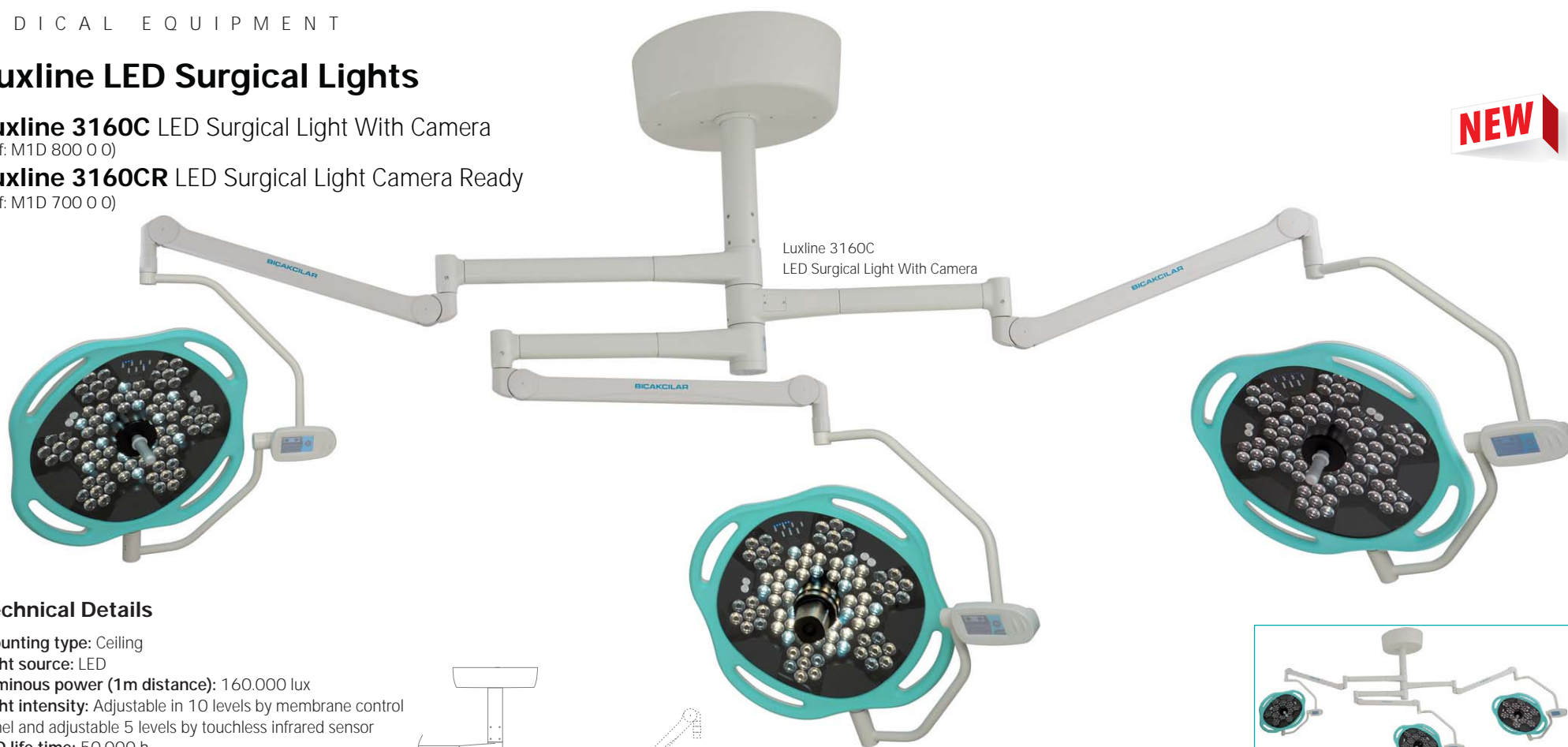
# Luxline LED Surgical Lights

## Luxline 3160C LED Surgical Light With Camera

(Ref: M1D 800 0 0)

## Luxline 3160CR LED Surgical Light Camera Ready

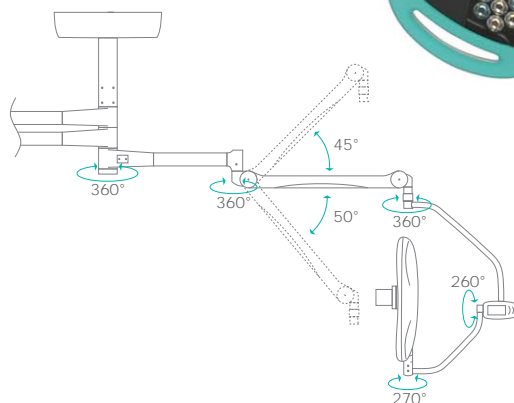
(Ref: M1D 700 0 0)



Luxline 3160C  
LED Surgical Light With Camera

### Technical Details

- Mounting type:** Ceiling
- Light source:** LED
- Luminous power (1m distance):** 160.000 lux
- Light intensity:** Adjustable in 10 levels by membrane control panel and adjustable 5 levels by touchless infrared sensor
- LED life time:** 50.000 h
- Number of Led:** 84 (except endo mode leds)
- Endo mode:** 4 each green leds
- Light head diameter:** 710 mm
- Light head hanging arm:** Rotates 360°
- Light head joint arm:** Rotates 260°
- Light head:** Rotates 270°
- Horizontal rotary arms:** Rotate 360°, 565/725/875 mm length
- Spring arms:** 910 mm length, rotate 360°, 50° downward, 45° upward, 1180 mm action distance
- Light field diameter (1m distance):** 180 - 250 mm
- Illuminance field diameter L1+L2 (20%):** 1200 mm
- Color rendering index (CRI):** ≥95 (4000K)
- Color temperature:** 4000K ±250, 4500K ±250, 5000K ±250
- Power supply \* :** 220-240 V, 50/60 Hz
- Power consumption:** 75 W
- Linear air flow (Laminar flow):** It is designed in an ergonomic structure which minimizes turbulence and is fully compatible with the linear air flow system



Luxline 3160CR LED Surgical Light Camera Ready



With HD camera



Camera ready



Endo mode



Emergency On/Off

### Additional Technical Details for Luxline 3160C LED Surgical Light with Camera

- HD Camera:** 2.4 megapixel, 10X Optical and 32X Digital zoom
- Control panel:** 4.3" resistive touch color LCD screen
- Camera features:** Zoom in / out, freeze image, White Balance and Iris adjustment
- Image transmission:** Wireless
- Camera group reference number:** M1C 810 5 0



Camera case (available for "with camera" models)



Remote control (available for "with camera" models)



Touch color LCD screen control panel



Adjustable light intensity with touchless infrared sensor

\* 110 Volt option